

SFV-SP SERIES 36" to 96"

Skid Mounted Cooling Tower Filtration Systems

APPLICATIONS

- **Cooling Tower Filtration-**
Perfect for closed loop applications, saves on chemical usage, providing a quick return on investment. Flow rates ranging from 150gpm to 1000gpm.
- **Fountains-**
Excellent for keeping nozzles clog free, produces clear sparkling water.
- **Process Filtration-**
Perfect for replacing cartridge filter in plant waste applications
Good rate for removal of suspended solids. Excellent as pretreatment for deionizers and R/O systems.

FEATURES

- Industrial Filtration capable of large volume removal of suspended solids down to the 5 micron level.
- Solids are retained in a unique permanent media bed, and can be flushed manually or automatically to a drain or waste disposal point.
- Controls are housed in a Nema 4X fiberglass or PVC enclosure.
- Motor starter for pump is included and panel mounted on-off switch with running lights.
- Unit includes an industrial duty pump.
- Optional Automatic backwash controller is a Alextronix type with provisions for periodical or timed backwash also based on high delta pressure or by manual pushbutton.
- Butterfly valves with nylon coated discs.
- Optional automatic controls include air compressor for air to open air to close actuators for bray valves.

SFV-SP SERIES FILTERS INCLUDE

- 1 Vertical Filter, 50 psi rating (100 psi rating available).
- 1 End-suction centrifugal pump.
- Factory Installed internal distribution system.
- Pump with starter in Nema 4X or PVC control Box.
- Schedule 80 PVC Face Piping using corrosion resistant butterfly valves with nylon coated discs.
- Gauge Panel with two 4½" 0-60 psi gauges with backwash sight glass.
- Schedule 80 PVC Header Manifolds are hydraulically engineered and factory installed with flanged connections.
- Schedule 40 PVC 1¼" Underdrain Laterals, machine slotted and factory installed with LIFETIME WARRANTY (Schedule 80 PVC also available).
- Automatic air release and Emergency pressure relief valves.

TANK CONSTRUCTION

- Heavy Duty Industrial Skid Mounted Filter System.
- Heavy Duty Carbon Steel Tank construction, precision welded, utilizing fully automatic submerged arc welding process.
- Tank Heads are ¼" thick and up, with SA-36 or SA-516-70 carbon steel.
- Tank Walls are ¼" thick and up, with SA-36 or SA-516-70 carbon steel.
- Factory installed Sacrificial Anodes further extend the life span of all SFV-SP Series Vessels.
- Interior Tank Coating with Prorated 5 year warranty.
- 11"x15" Man-way.
- 4" Media dump port and winterizing drain.
- NSF listed Tank design.

SFV-SP TANK OPTIONS

- SFV-SP Series available in all grades of Carbon and Stainless Steel.
- Automatic Backwash Controls.
- Optional Interior Tank Coatings include Epoxy, Vinyl Ester and Rubber for extended 15-year Prorated warranty.
- Ozone Resistant Interior Coating available.
- Single Lever backwash controls.
- ASME Code vessels available.
- Optional Man-way Sizes 14"x18", round 16"-20"-24" flanged style.

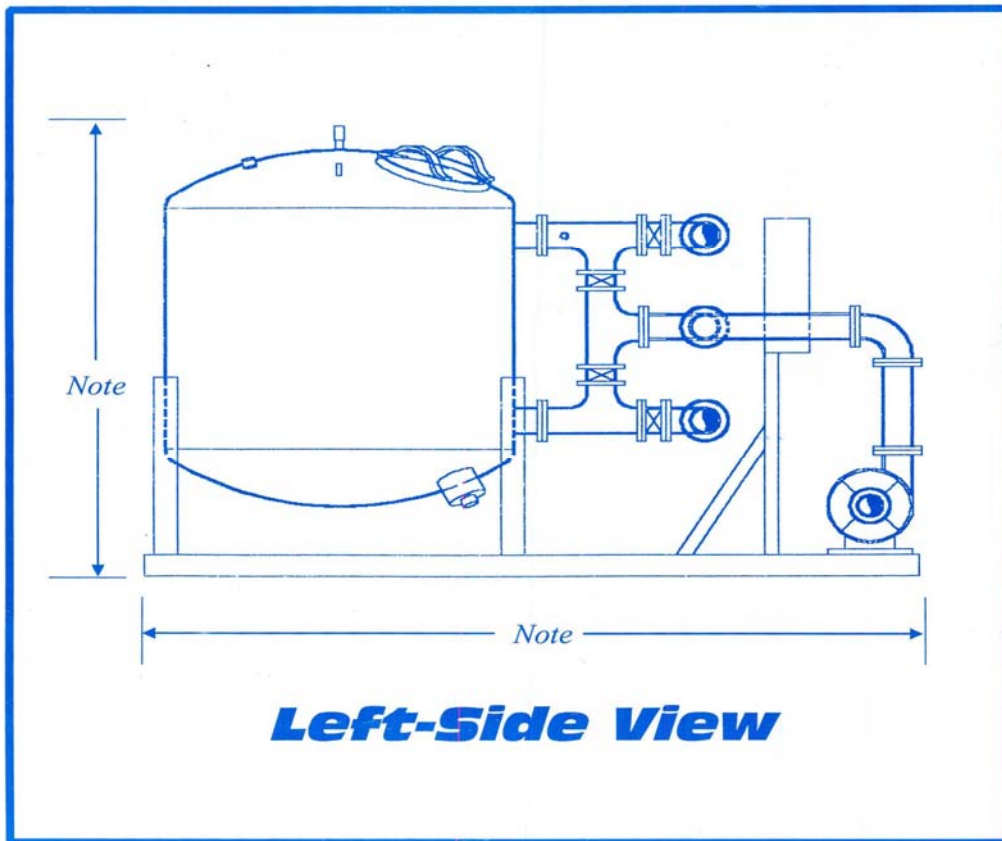
*****SFV-SP Series Filters can be Custom built to meet any design requirement***

<p>SFV-SP SERIES SKID MOUNTED HI-FLOW VERTICAL COMMERCIAL SAND FILTER -- FILTER PERFORMANCE SPECIFICATIONS --</p>
--

Filter Model Number	Tank Dia.	Face Piping Size	Filter Area (SQ.FT.)	Flow Rate 15 GPM	Flow Rate 20 GPM	Flow Rate GPH (15 GPM) 6 Hr. / 8 Hr.	Flow Rate GPH (20 GPM) 6 Hr. / 8 Hr.
SFV- 36-SP- M/A	36"	3"	7.1	107	142	38,520 / 51,120	51,360 / 68,160
SFV- 42-SP- M/A	42"	3"	9.6	144	192	51,840 / 69,120	69,120 / 92,160
SFV- 48-SP- M/A	48"	4"	12.6	189	252	68,040 / 90,720	90,0720 / 120,960
SFV- 54-SP- M/A	54"	4"	15.9	238	318	85,860 / 114,480	114,480 / 152,640
SFV- 60-SP- M/A	60"	4"	19.6	294	392	105,840 / 141,120	141,120 / 188,160
SFV- 66-SP- M/A	66"	4"	23.7	355	474	127,980 / 170,640	***
SFV- 72-SP-M/A	72"	6"	28.3	424	566	152,820 / 203,760	203,760 / 271,680
SFV- 78-SP-M/A	78"	6"	33.2	498	664	179,280 / 239,040	239,040 / 318,720
SFV- 84-SP-M/A	84"	6"	38.5	577	770	207,900 / 277,200	277,200 / 369,600
SFV- 90-SP-M/A	90"	6"	44.2	663	884	238,680 / 318,240	318,240 / 424,320
SFV- 96-SP-M/A	96"	8"	50.3	754	1006	271,620 / 362,160	***

Note: M/A Denotes M= Manual Backwash
A= Automatic Backwash

MIAMI FILTER SKID MOUNTED Vertical Sand Filters



**SFV-SP SERIES
-- PHYSICAL DIMENSIONS --**

Filter Model Number	Tank Dia.	Height	Length
SFV- 36-SP	36"	70.5"	84"
SFV- 42-SP	42"	71"	90"
SFV- 48-SP	48"	73"	96"
SFV- 54-SP	54"	75"	102"
SFV- 60-SP	60"	78"	108"
SFV- 66-SP	66"	80"	114"
SFV- 72-SP	72"	82"	120"
SFV- 78-SP	78"	83"	126"
SFV- 84-SP	84"	84"	132"
SFV- 90-SP	90"	86"	138"
SFV- 96-SP	96"	87"	144"

**SFV-SP SERIES
-- FILTER MEDIA SPECIFICATIONS --**

Filter Model Number	Gravel 1/8"-1/4" (CU.FT.)	Filter Sand #20 (CU.FT.)	Aprox. Bed Depth
SFV-36	4	15	30"
SFV-42	6	20	30"
SFV-48	12	23	30"
SFV-54	16	26	30"
SFV-60	19	35	30"
SFV-66	24	41	30"
SFV-72	28	50	30"
SFV-78	33	58	30"
SFV-84	38	68	30"
SFV-90	44	77	30"
SFV-96	50	88	30"